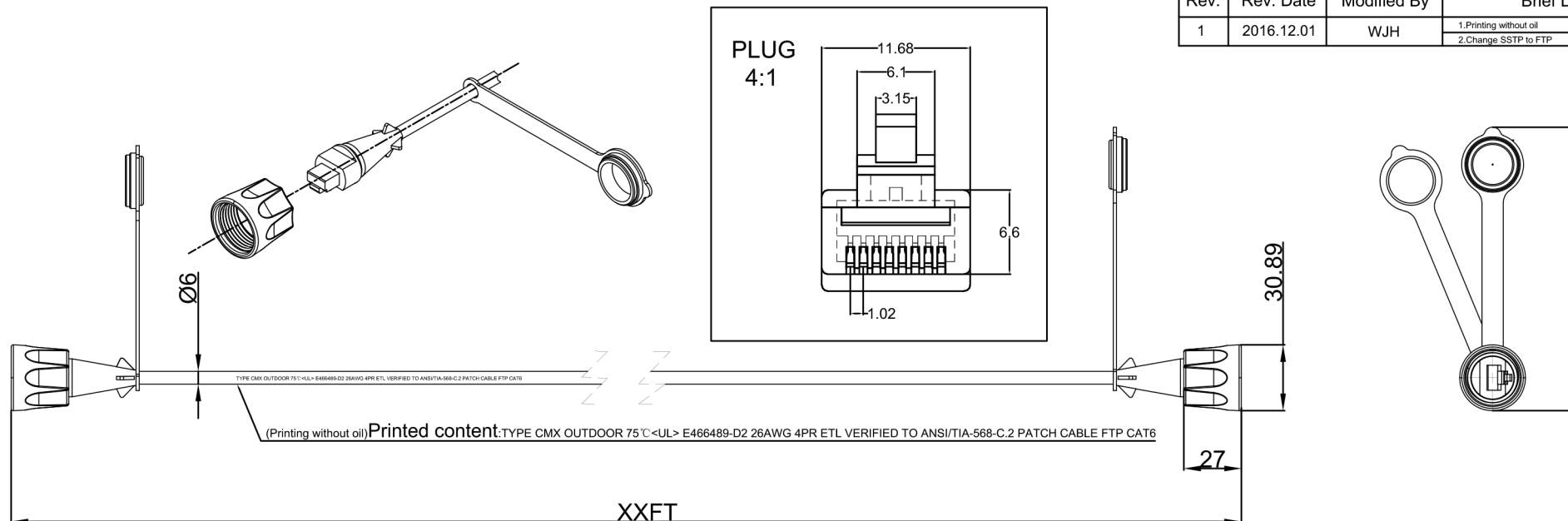


REVISION INFORMATION			
Rev.	Rev. Date	Modified By	Brief Description
1	2016.12.01	WJH	1.Printing without oil 2.Change SSTP to FTP



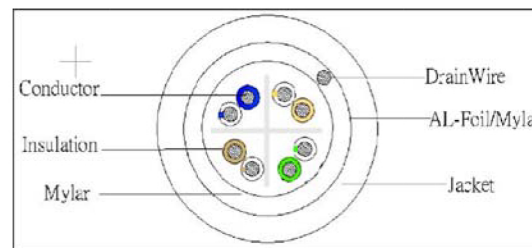
**SPECIFICATION:**

1. The material of cords is a kind of multicore cords and they meet the requirements stipulated in TIA/EIA-568-B about sixth category of patch cords.
2. Support 250 MHz broadband
3. Dielectric withstanding voltage: 1000V
4. Contact resistance: 2.5mΩ Max
5. Insulation resistance: 1000MΩ Min
6. Insertion life: 750 cycles Min
7. Waterproof cable, anti-UV, Oil free
8. Operating Temperature Range: -30°C to 75°C

**MATERIAL:**

1. The housing of patch cords: PBT
2. Dustproof cap: PVC
3. PIN: PHOSPHOR BRONZE C5191

**Cross - Section View :**



**Cat 6**

56Y4  
E145249



<b>Show Me</b> CABLES an INFINITI® brand		
DRAWN BY WLL	DATE: 2016/12/19	Title: Cat6 SFTP Industrial Outdoor Patch Cable w/Dust Cap Black
CHECKED BY	SHEET 1 of 1	Part No: 641-XXX
APPROVED BY	SCALE	REV. 01   UNIT: mm

NO.	PART NAME	SPECIFICATION DESCRIPTION	QTY	UNIT
④	Washer	Waterproof、Ø1.8MM	2	PCS
③	Dust cover	PVC、Waterproof	2	PCS
②	Connector Nut	PBT、Waterproof	2	PCS
①	Crystal Head	Sealed plastic structure, Trigeminal sheet Six on two under	2	PCS